



DWM3000EVB

DWM3000 evaluation board

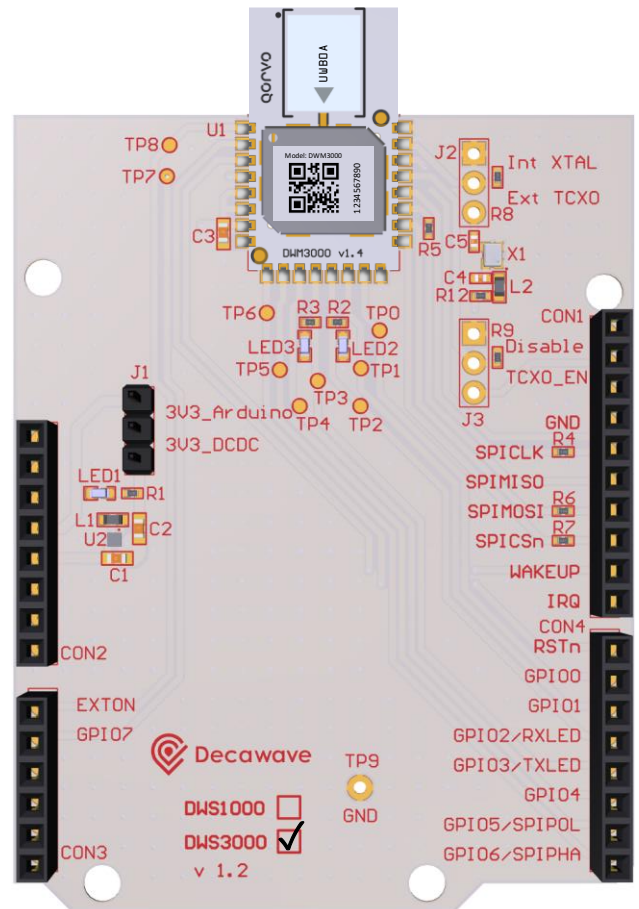
Product Overview

The Qorvo® DWM3000EVB is an Arduino form-factor compatible shield designed for the evaluation of the Qorvo® DWM3000 UWB module.

The DWM3000EVB offers flexibility to use the DWM3000 with a MCU of choice. The Arduino form-factor is supported by many MCU vendors such as ST Micro, Nordic Semiconductors and others.

Key Features

- Arduino form-factor compatible
- Based on the DWM3000 module with:
 - Qorvo® DW3110 UWB IC
 - Ceramic UWB antenna
- On board 3V3 DC-DC
- 2.54 mm jumper for selection of the power supply and current consumption measurements
- All module pins are accessible on the Arduino connectors
- Schematics available in PDF format
- Example firmware available on website:
 - STM32CubeIDE project for the ST Nucleo-F429ZI development board
 - Segger Embedded Studio project for the Nordic NRF52840-DK development board



Arduino compatible shield

Applications

- Bring up and evaluation of the DWM3000 module
- General purpose hardware for UWB RTLS system development

Ordering Information

Part Number	Description
DWM3000EVB	Evaluation board



Revision History

Revision	Description
A	Initial product release
B	Update to Qorvo format

Contact Information

For the latest specifications, additional product information, worldwide sales and distribution locations:

Web: www.qorvo.com

Tel: 1-844-890-8163

Email: customer.support@qorvo.com

Important Notice

The information contained in this document and any associated documents ("Product Brief Information") is believed to be reliable; however, Qorvo makes no warranties regarding the Product Brief Information and assumes no responsibility or liability whatsoever for the use of said information. All Product Brief Information is subject to change without notice. Customers should obtain and verify the latest relevant Product Brief Information before placing orders for Qorvo® products. Product Brief Information or the use thereof does not grant, explicitly, implicitly or otherwise any rights or licenses to any third party with respect to patents or any other intellectual property whether with regard to such Product Brief Information itself or anything described by such information.

THIS INFORMATION DOES NOT CONSTITUTE A WARRANTY WITH RESPECT TO THE PRODUCTS DESCRIBED HEREIN, AND QORVO HEREBY DISCLAIMS ANY AND ALL WARRANTIES WITH RESPECT TO SUCH PRODUCTS WHETHER EXPRESS OR IMPLIED BY LAW, COURSE OF DEALING, COURSE OF PERFORMANCE, USAGE OF TRADE OR OTHERWISE, INCLUDING THE IMPLIED WARRANTIES OF MERCHANTABILITY AND FITNESS FOR A PARTICULAR PURPOSE. Without limiting the generality of the foregoing, Qorvo® products are not warranted or authorized for use as critical components in medical, life-saving, or life-sustaining applications, or other applications where a failure would reasonably be expected to cause severe personal injury or death. Applications described in the Product Brief Information are for illustrative purposes only. Customers are responsible for validating that a particular product described in the Product Brief Information is suitable for use in a particular application.

© 2021 Qorvo US, Inc. All rights reserved. This document is subject to copyright laws in various jurisdictions worldwide and may not be reproduced or distributed, in whole or in part, without the express written consent of Qorvo US, Inc. | QORVO® is a registered trademark of Qorvo US, Inc.